

Miller® ManHandler™ Hoist

Model: 8442/65FT, 8442-Z7/65/FT, 8442/100FT, 8442-Z7/100FT

Description

The Miller® ManHandler™ Hoist is the perfect solution for a range of applications including confined space entry, rescue, positioning and personnel/material handling. A secondary fall arrest system is recommended for fall protection.

Models are available with stainless steel wire rope by adding "SS" after model number (Ex: 8442SS/65FT)

Materials

Housing:	Steel, Yellow Chromate Plating (Zinc)
Drum:	Steel Weldment, Yellow Chromate Plating (Zinc)
Shaft:	4140 Steel
Springs:	Stainless Steel
Brake Pawls:	Stainless Steel
Brake Pads:	Fiber Composite
Bearings:	Oil Impregnated Bronze
Hardware:	Grade 5, Zinc Plated
Snap Hook:	Drop Forged Steel
Cable:	3/16" galvanized steel or stainless steel

Technical

Maximum Working Load:	350lbs (159kg)
Brake Systems:	Holding and Inertia – friction disk
Gear Ratio:	5:1
Retrieval Speed:	20ft/min
Length:	65ft (20m), 100ft (30.5m)
Weight (65FT):	39lbs (18kg)
Weight (100FT):	41.275lbs (19kg)

Certification

8442/65FT and 8442/100FT: Meets OSHA 1910.146 and ANSI Z117.1 requirements.

8442-Z7/65FT and 8442-Z7/100FT: ANSI Z359-2007 compliant for connectors which meet the 3600lb gate requirements, ANSI Z117.1, and OSHA 1910.146 requirements.

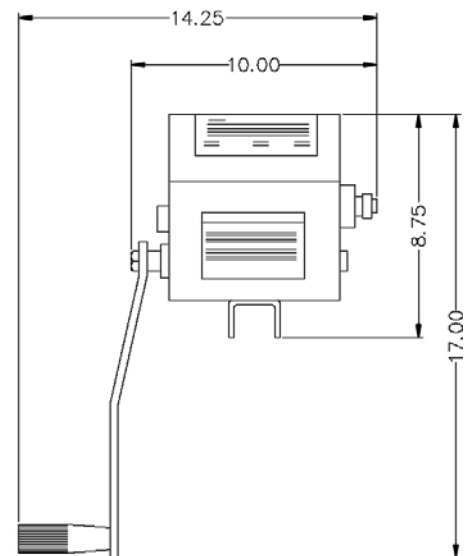
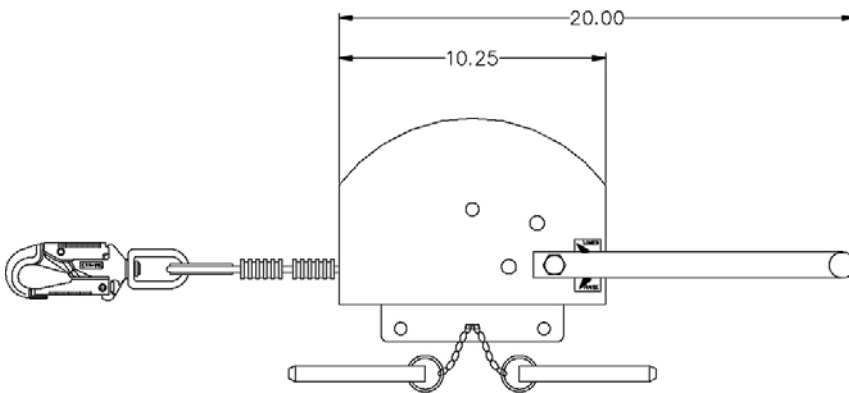
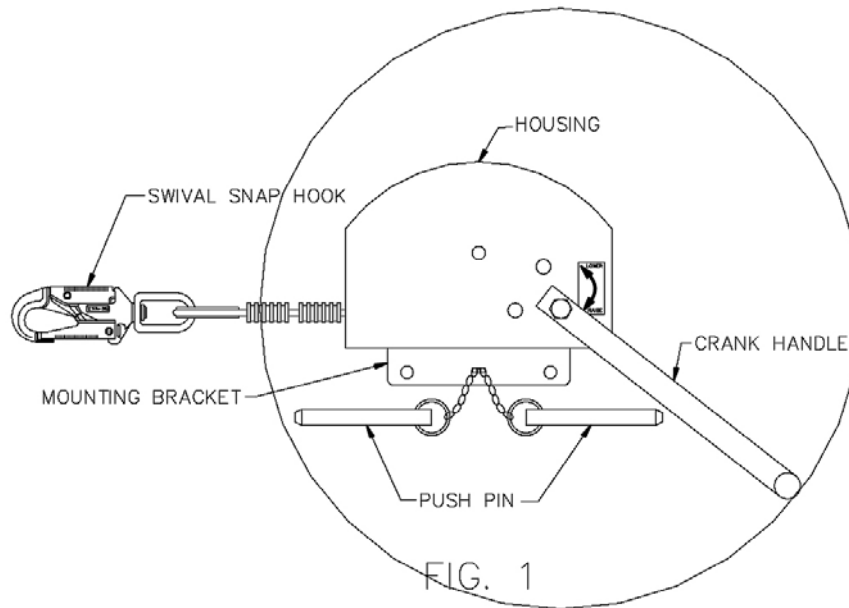


Warnings & Limitations

- Users must read, understand and follow all instructions.
- Only trained personnel should use this device.
- Do not use the unit if any part of the system appears to be damaged.
- Do not attempt to service this unit. If it does not operate properly or needs repair, return the unit to Miller for service.
- The designed working load limit is 350 pounds. Do not exceed the working load.
- Except when used as an emergency rescue device, independent fall protection must be used in conjunction with this unit to raise, lower or suspend personnel.
- When winch cable is attached to a workers harness, the cable must be free of slack and remain taut.
- See operation and instruction manual for proper mounting procedures. Applications requiring the use of a personal fall arrest system must be capable of supporting 5,000lbs.

Miller® ManHandler™ Hoist

Model: 8442/65FT, 8442-Z7/65/FT, 8442/100FT, 8442-Z7/100FT



MILLER®

by Honeywell

Toll Free 800.873.5242 (press 4) • hsptechsupport@honeywell.com • www.millerfallprotection.com

⚠ WARNING! THIS DOCUMENT PROVIDES AN OVERVIEW OF FALL PROTECTION PRODUCTS AVAILABLE FROM HONEYWELL AND CARE HAS BEEN TAKEN TO ASSURE THE ACCURACY OF THE DATA. IT DOES NOT PROVIDE IMPORTANT PRODUCT WARNINGS AND INSTRUCTIONS. HONEYWELL RECOMMENDS ALL USERS OF FALL PROTECTION EQUIPMENT UNDERGO THOROUGH TRAINING, AND THAT ALL WARNINGS AND INSTRUCTIONS PROVIDED WITH THE PRODUCTS BE THOROUGHLY READ AND UNDERSTOOD PRIOR TO EACH USE. FAILURE TO READ AND FOLLOW ALL PRODUCT WARNINGS AND INSTRUCTIONS COULD RESULT IN SERIOUS INJURY OR DEATH.