



Miller® MightyLite/MightEvac Retractable Lifelines



SP100 Rev. C

Materials

| | |
|--------------|---------------------------------|
| Housing: | Aluminum Alloy, Stainless |
| Drum: | Aluminum Alloy, Stainless |
| Mainspring: | Stainless Steel |
| Brake Pawls: | Stainless Steel |
| Main Shaft: | RL20 Alum. Alloy |
| | All other units Stainless Steel |
| Bushing: | RL20 Rulon, all other units |
| | Ball & Roller Bearing |
| Snaphook: | Drop Forged Steel |

Technical

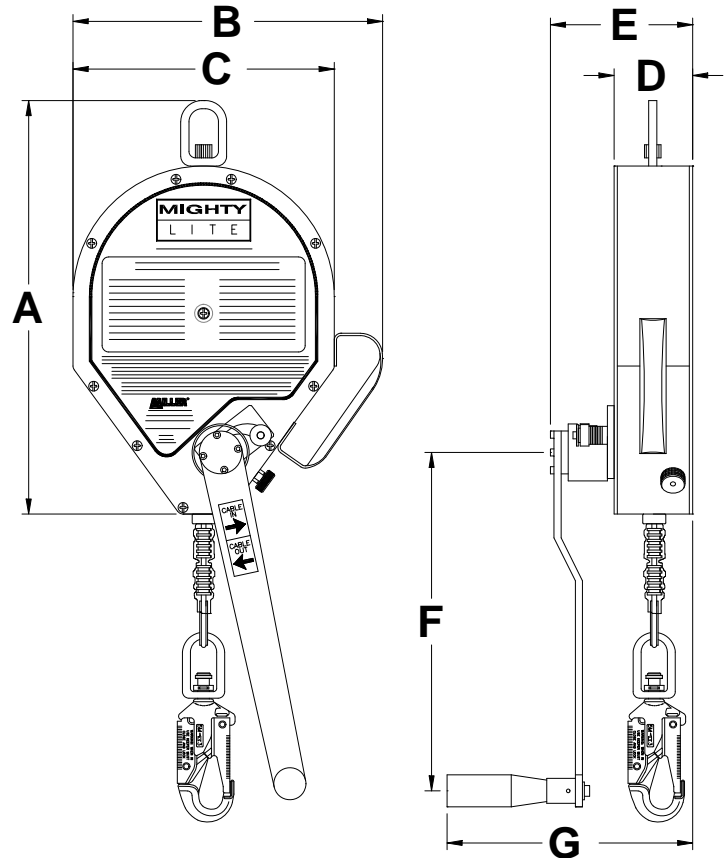
| | |
|------------------------|--|
| Max Working Load: | 310 lbs (140.62 kg) |
| Ultimate Strength: | 3600 lbs. (16.01kN) |
| Lifeline Tension: | 3-4 lbs. (13.3/17.8 N) |
| Free Fall Distance: | 24" Max. (609.6 mm) |
| Deceleration Distance: | 42" Max (1.06m) |
| Arresting Force: | 900 lbs. (approx.) (4kN) |
| Strength Test: | 300 lbs. 4' free fall (1.33 kN @ 1.22m free fall) |

Certification:

Meets OSHA 1926.502, 1910.66, ANSI A10.32

*ANSI Z359-2007, CSA Z259.2.2 requirements.

*ANSI Z359-2007 compliant for connectors which meet the 3600lb gate requirements. (listed at the end of the chart)



| Model | Lifeline Material | Length | Weight | A | B | C | D | E | F | G |
|---|-----------------------------|-----------------|------------------|--------------|--------------|--------------|-------------|-----|-----|-----|
| RL20P | 1" Polyester Webbing | 20 ft. (6m) | 8 lbs.(3.6 kg) | 10.50"/267mm | * | 6.38"/162mm | 2.25"/57mm | N/A | N/A | N/A |
| RL20G | 3/16" Galvanized Cable | 20 ft. (6m) | 9 lbs.(4.1 kg) | 10.50"/267mm | * | 6.38"/162mm | 2.25"/57mm | N/A | N/A | N/A |
| RL20SS | 3/16" Stainless Steel Cable | 20 ft. (6m) | 9 lbs.(4.1 kg) | 10.50"/267mm | * | 6.38"/162mm | 2.25"/57mm | N/A | N/A | N/A |
| RLS30G | 3/16" Galvanized Cable | 30 ft. (9m) | | 10.50"/267mm | * | 6.38"/162mm | | N/A | N/A | N/A |
| RLS30S | 3/16" Stainless Steel Cable | 30 ft. (9m) | | 10.50"/267mm | * | 6.38"/162mm | | N/A | N/A | N/A |
| RL30G | 3/16" Galvanized Cable | 30 ft. (9m) | 23 lbs.(10.4 kg) | 15.75"/400mm | 11.75"/298mm | 10.00"/254mm | 3.00"/76mm | N/A | N/A | N/A |
| RL30SS | 3/16" Stainless Steel Cable | 30 ft. (9m) | 24 lbs.(10.4 kg) | 15.75"/400mm | 11.75"/298mm | 10.00"/254mm | 3.00"/76mm | N/A | N/A | N/A |
| RL50P | 1" Polyester Webbing | 50 ft. (15m) | 20 lbs. (9.1 kg) | 15.75"/400mm | 11.75"/298mm | 10.00"/254mm | 3.00"/76mm | N/A | N/A | N/A |
| RL50G | 3/16" Galvanized Cable | 50 ft. (15m) | 25 lbs.(11.3 kg) | 15.75"/400mm | 11.75"/298mm | 10.00"/254mm | 3.00"/76mm | N/A | N/A | N/A |
| RL50SS | 3/16" Stainless Steel Cable | 50 ft. (15m) | 25 lbs.(11.3 kg) | 15.75"/400mm | 11.75"/298mm | 10.00"/254mm | 3.00"/76mm | N/A | N/A | N/A |
| RL65G | 3/16" Galvanized Cable | 65 ft. (20m) | 30 lbs.(13.6 kg) | 15.75"/400mm | 11.75"/298mm | 10.00"/254mm | 3.00"/76mm | N/A | N/A | N/A |
| RL65SS | 3/16" Stainless Steel Cable | 65 ft. (20m) | 30 lbs.(13.6 kg) | 15.75"/400mm | 11.75"/298mm | 10.00"/254mm | 3.00"/76mm | N/A | N/A | N/A |
| RL100G | 3/16" Galvanized Cable | 100 ft. (30m) | 45 lbs.(20.4 kg) | 15.75"/400mm | 11.75"/298mm | 10.00"/254mm | 5.00"/127mm | N/A | N/A | N/A |
| RL100SS | 3/16" Stainless Steel Cable | 100 ft. (30m) | 45 lbs.(20.4 kg) | 15.75"/400mm | 11.75"/298mm | 10.00"/254mm | 5.00"/127mm | N/A | N/A | N/A |
| RL130G | 3/16" Galvanized Cable | 130 ft. (40m) | 50 lbs.(22.7 kg) | 15.75"/400mm | 11.75"/298mm | 10.00"/254mm | 5.00"/127mm | N/A | N/A | N/A |
| RL130SS | 3/16" Stainless Steel Cable | 130 ft. (40m) | 50 lbs.(22.7 kg) | 15.75"/400mm | 11.75"/298mm | 10.00"/254mm | 5.00"/127mm | N/A | N/A | N/A |
| Sealed Self-Retracting Lifelines | | | | | | | | | | |
| RL175BG | 3/16" Galvanized Cable | 175 ft.(53.34m) | 70 lbs.(31.7 kg) | 15.75"/400mm | 11.75"/298mm | 10.00"/254mm | 7.18"/182mm | N/A | N/A | N/A |
| RL175G | 3/16" Galvanized Cable | 176 ft.(53.34m) | 70 lbs.(31.7 kg) | 15.75"/400mm | 11.75"/298mm | 10.00"/254mm | 7.18"/182mm | N/A | N/A | N/A |
| RL175BSS | 3/16" Stainless Steel Cable | 177 ft.(53.34m) | 70 lbs.(31.7 kg) | 15.75"/400mm | 11.75"/298mm | 10.00"/254mm | 7.18"/182mm | N/A | N/A | N/A |
| RL175SS | 3/16" Stainless Steel Cable | 178 ft.(53.34m) | 70 lbs.(31.7 kg) | 15.75"/400mm | 11.75"/298mm | 10.00"/254mm | 7.18"/182mm | N/A | N/A | N/A |



Miller® MightyLite/MightEvac Retractable Lifelines



MR Series Retrieval Lifelines

| | | | | | | | | | | |
|--------|-----------------------------|---------------|-------------------|--------------|--------------|--------------|-------------|-------------|--------------|--------------|
| MR40KB | 3/16" Kevlar Rope | 40 ft. (12m) | 29 lbs. (13.2 kg) | 15.75"/400mm | 11.75"/298mm | 10.00"/254mm | 3.00"/76mm | 5.50"/140mm | 13.00"/330mm | 9.00"/229mm |
| MR50G | 3/16" Galvanized Cable | 50 ft. (15m) | 31 lbs.(14.1 kg) | 15.75"/400mm | 11.75"/298mm | 10.00"/254mm | 3.00"/76mm | 5.50"/140mm | 13.00"/330mm | 9.00"/229mm |
| MR50S | 3/16" Stainless Steel Cable | 50 ft. (15m) | 31 lbs.(14.1 kg) | 15.75"/400mm | 11.75"/298mm | 10.00"/254mm | 3.00"/76mm | 5.50"/140mm | 13.00"/330mm | 9.00"/229mm |
| MR80KB | 3/16" Kevlar Rope | 80 ft. (24m) | 46 lbs. (20.9 kg) | 15.75"/400mm | 11.75"/298mm | 10.00"/254mm | 5.00"/127mm | 7.50"/191mm | 13.00"/330mm | 11.00"/279mm |
| MR100G | 3/16" Galvanized Cable | 100 ft. (30m) | 51 lbs.(23.1 kg) | 15.75"/400mm | 11.75"/298mm | 10.00"/254mm | 5.00"/127mm | 7.50"/191mm | 13.00"/330mm | 11.00"/279mm |
| MR100S | 3/16" Stainless Steel Cable | 100 ft. (30m) | 51 lbs.(23.1 kg) | 15.75"/400mm | 11.75"/298mm | 10.00"/254mm | 5.00"/127mm | 7.50"/191mm | 13.00"/330mm | 11.00"/279mm |
| MR130G | 3/16" Galvanized Cable | 130 ft. (40m) | 56 lbs.(25.4 kg) | 15.75"/400mm | 11.75"/298mm | 10.00"/254mm | 5.00"/127mm | 7.50"/191mm | 13.00"/330mm | 11.00"/279mm |
| MR130S | 3/16" Stainless Steel Cable | 130 ft. (40m) | 56 lbs.(25.4 kg) | 15.75"/400mm | 11.75"/298mm | 10.00"/254mm | 5.00"/127mm | 7.50"/191mm | 13.00"/330mm | 11.00"/279mm |

ANSI Z359-2007 Compliant Models

| | | | | | | | | | | |
|--------|------------------------|-----------------|------------------|--------------|--------------|--------------|-------------|-----|-----|-----|
| RL20G | 3/16" Galvanized Cable | 20 ft. (6m) | 9 lbs.(4.1 kg) | 10.50"/267mm | * | 6.38"/162mm | 2.25"/57mm | N/A | N/A | N/A |
| RL20P | 1" Polyester Webbing | 20 ft. (6m) | 8 lbs.(3.6 kg) | 10.50"/267mm | * | 6.38"/162mm | 2.25"/57mm | N/A | N/A | N/A |
| RLS30G | 3/16" Galvanized Cable | 30 ft. (9m) | | 10.50"/267mm | * | 6.38"/162mm | | N/A | N/A | N/A |
| RL50G | 3/16" Galvanized Cable | 50 ft. (15m) | 25 lbs.(11.3 kg) | 15.75"/400mm | 11.75"/298mm | 10.00"/254mm | 3.00"/76mm | N/A | N/A | N/A |
| RL50P | 1" Polyester Webbing | 50 ft. (15m) | 20 lbs. (9.1 kg) | 15.75"/400mm | 11.75"/298mm | 10.00"/254mm | 3.00"/76mm | N/A | N/A | N/A |
| RL65G | 3/16" Galvanized Cable | 65 ft. (20m) | 30 lbs.(13.6 kg) | 15.75"/400mm | 11.75"/298mm | 10.00"/254mm | 3.00"/76mm | N/A | N/A | N/A |
| RL100G | 3/16" Galvanized Cable | 100 ft. (30m) | 45 lbs.(20.4 kg) | 15.75"/400mm | 11.75"/298mm | 10.00"/254mm | 5.00"/127mm | N/A | N/A | N/A |
| RL130G | 3/16" Galvanized Cable | 130 ft. (40m) | 50 lbs.(22.7 kg) | 15.75"/400mm | 11.75"/298mm | 10.00"/254mm | 5.00"/127mm | N/A | N/A | N/A |
| RL175G | 3/16" Galvanized Cable | 176 ft.(53.34m) | 70 lbs.(31.7 kg) | 15.75"/400mm | 11.75"/298mm | 10.00"/254mm | 7.18"/182mm | N/A | N/A | N/A |

*Handle not available on RL20 series

All units are equipped with a Fall Indicator, in the event of a fall, a flag deploys to indicate the unit has been subjected to fall arresting forces and should be removed from service. Options shown may vary from actual product and is subject to change without notice.



RL20P-Z7



Toll Free 800.873.5242 • Phone 814.432.2118 • Fax 800.892.4078 • www.millerfallprotection.com

WARNING! THIS DOCUMENT PROVIDES AN OVERVIEW OF FALL PROTECTION PRODUCTS AVAILABLE FROM MILLER FALL PROTECTION AND CARE HAS BEEN TAKEN TO ASSURE THE ACCURACY OF THE DATA. IT DOES NOT PROVIDE IMPORTANT PRODUCT WARNINGS AND INSTRUCTIONS. MILLER FALL PROTECTION RECOMMENDS ALL USERS OF FALL PROTECTION EQUIPMENT UNDERGO THOROUGH TRAINING, AND THAT ALL WARNINGS AND INSTRUCTIONS PROVIDED WITH THE PRODUCTS BE THOROUGHLY READ AND UNDERSTOOD PRIOR TO EACH USE. FAILURE TO READ AND FOLLOW ALL PRODUCT WARNINGS AND INSTRUCTIONS COULD RESULT IN SERIOUS INJURY OR DEATH.