

Portable I-Beam Clamping Base

Model: DH-AP-9/



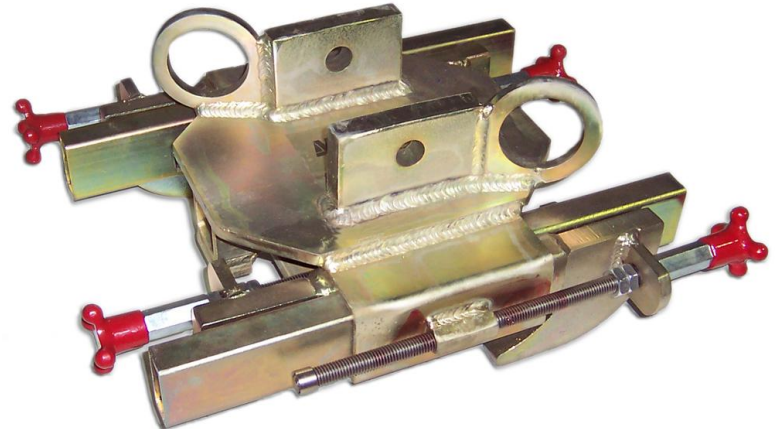
by Honeywell

Description

I-Beam Clamping Base is designed to mount temporarily to structural I-Beams to support Miller Safety Systems Portable Fall-Arrest structures.

Materials

General Construction:	Welded Steel
Weld Certification:	AWS
Material:	HR Mild Steel
Hardware:	Zinc plated steel
Screws:	304 Stainless Steel
Thrust Bearing	
Material:	High Density Polyethylene
Plating Specification:	Type II, Type III Zinc, SC-2 ASTM B633-85 CS-500 leachant/sealant process
Finish:	Cs-500 Zinc plated



Technical

Rated Capacity: When installed according to the mounting requirement section of this specification, the I-Beam Clamping Base meets or exceeds the rated capacity of all Portable Fall-Arrest System accessories.

Proof Load 190,000 in-lbs (21.5 kN-m)

Weight 56lbs (25.4kg)

Mounting

Requirements

DH-AP-9/ Advanced Series Portable Fall-Arrest Anchor Post:

Moment Requirement: 190,000in-lbs (21.5kN-m)

Vertical Load Requirement: 3100 lbs (13.8 kN)

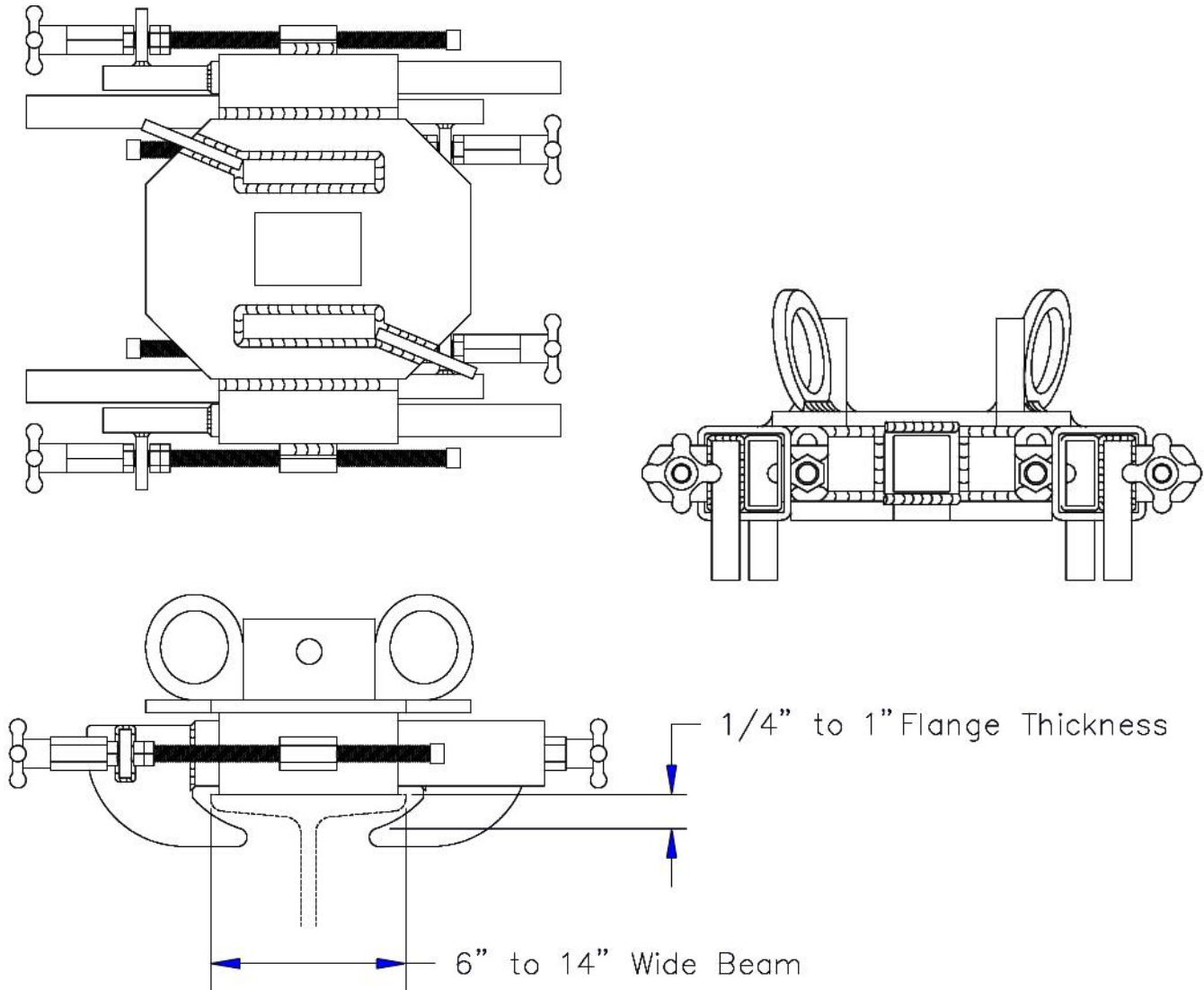
Application

Restrictions

1. This product is designed for use with accessories manufactured or approved by Miller.
2. The Beam Clamping Base is for use on I-Beams with a flange width of between 6.0" – 14" only.
3. All accessories must be compatible with all other system components requirements and must be installed, used and maintained according to the manufacturer's instruction.
4. Each installation must be approved to local standards by a qualified engineer.

Portable I-Beam Clamping Base

Model: DH-AP-9/



MILLER[®]

by Honeywell

Toll Free 800.873.5242 (press 4) • hsptechsupport@honeywell.com • www.millerfallprotection.com

⚠ WARNING! THIS DOCUMENT PROVIDES AN OVERVIEW OF FALL PROTECTION PRODUCTS AVAILABLE FROM HONEYWELL AND CARE HAS BEEN TAKEN TO ASSURE THE ACCURACY OF THE DATA. IT DOES NOT PROVIDE IMPORTANT PRODUCT WARNINGS AND INSTRUCTIONS. HONEYWELL RECOMMENDS ALL USERS OF FALL PROTECTION EQUIPMENT UNDERGO THOROUGH TRAINING, AND THAT ALL WARNINGS AND INSTRUCTIONS PROVIDED WITH THE PRODUCTS BE THOROUGHLY READ AND UNDERSTOOD PRIOR TO EACH USE. FAILURE TO READ AND FOLLOW ALL PRODUCT WARNINGS AND INSTRUCTIONS COULD RESULT IN SERIOUS INJURY OR DEATH.