

# Miller DuraHoist™ Three-Piece Portable Base Options

Models: DH-4 (for maximum 29-in. offset), DH-24 (for maximum 48-in. offset)

## Description

The Miller DuraHoist Three-Piece Portable Base options (DH-4 or DH-24) are constructed of lightweight powder-coated aluminum and feature adjustable screws and a built-in level indicator for easy set-up on uneven surfaces. Three lightweight components for easy transport and storage. No tools required.

## Materials

<b>General Construction:</b>	Welded Aluminum
<b>Weld Certification:</b>	AWS
<b>Hardware:</b>	Zinc Plated
<b>Material Structure:</b>	6061-T6, 5052-H32, 7075-T6 Aluminum, Mild Steel, Black Acetal, Black Vinyl
<b>Finish:</b>	Safety Yellow Powder Coat



## Technical

<b>Rated Capacity:</b>	450lbs (204kg) working load limit @ minimum 4:1 Design Factor
------------------------	---

### Mast Moment

<b>Proof Load:</b>	90,000 in-lbs (10,200 N.m)
--------------------	-------------------------------

<b>Mast Rotation:</b>	180 °
-----------------------	-------

### Weights:

#### DH-4

Base Center	21lbs (9.5kg)
Base Legs (x2)	20lbs (9.1kg)
Total	61lbs (27.7kg)

#### DH-24

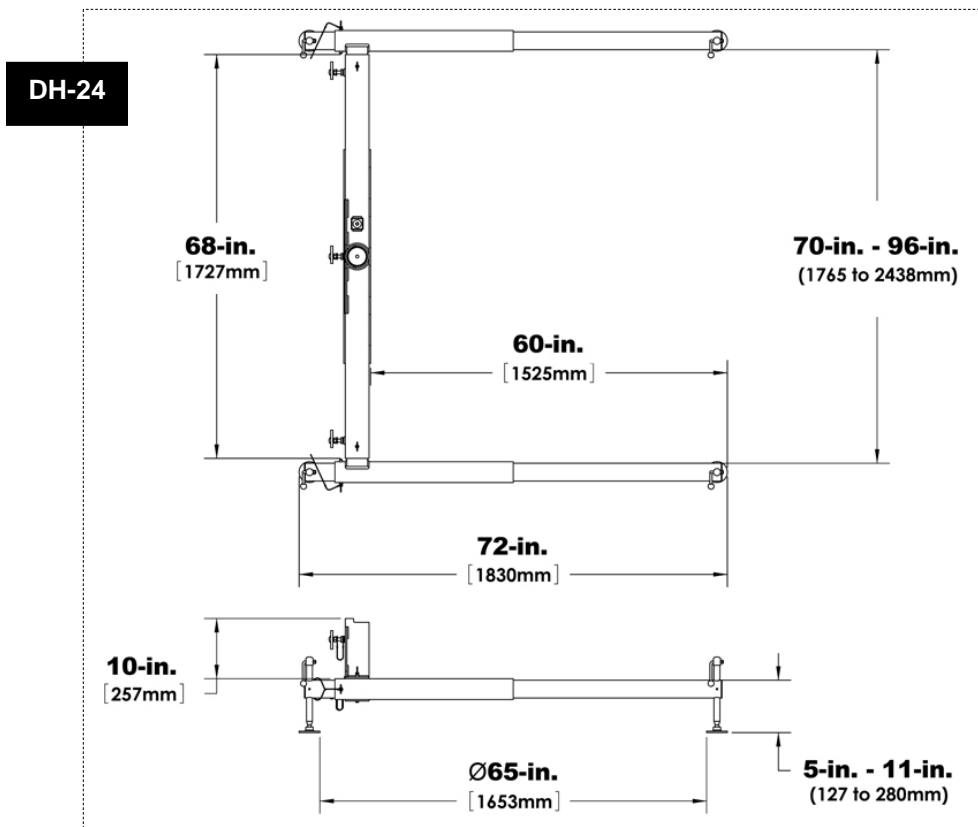
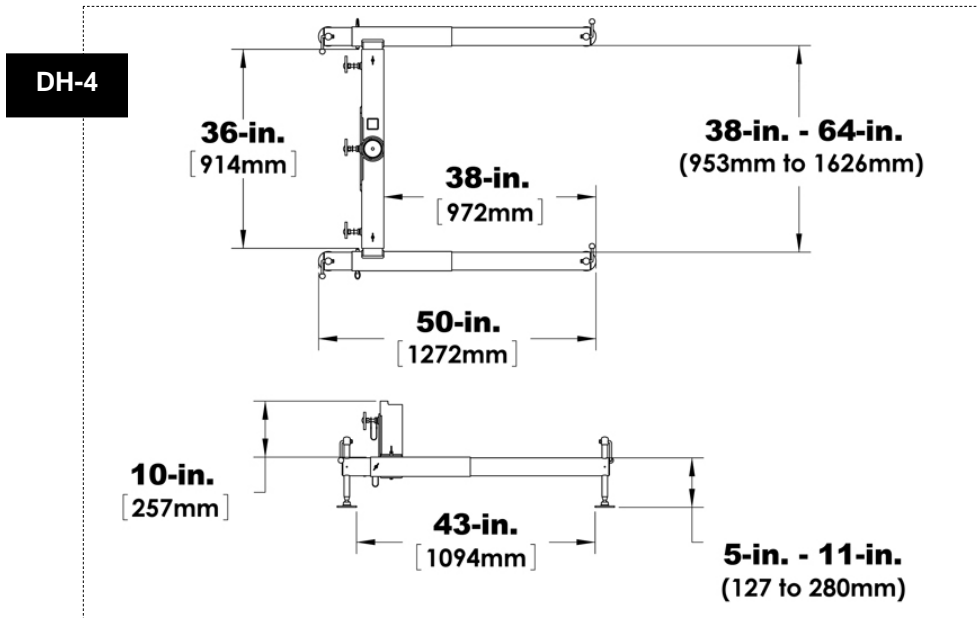
Base Center	39 lbs (17.7kg)
Base Legs (x2)	28 lbs (12.7kg)
Total	95 lbs (43.1kg)

## Application Restrictions

1. All winch and block mounting parts and hardware must be supplied or approved by Miller.
2. Retractable devices or shock absorbers must be installed and used in accordance with the manufacturer's instructions.
3. To avoid instability or tipping, the Three-Piece Portable Base (DH-4) is to be used with 29-in. (737mm) *maximum* offset mast (One-Piece Adjustable Mast, DH-3; Two-Piece Adjustable Upper Mast, DH-21).
4. The Three-Piece Portable Base (DH-24) is to be used with 48-in. (1219mm) *maximum* offset mast (One-Piece Adjustable Mast (DH-3); Two-Piece Adjustable Upper Mast options, DH-21/DH-23).
5. Where required by regulation, each installation must be approved to applicable standards by a qualified engineer.
6. All equipment must be set up and operated under the supervision of a competent person according to the manufacturer's instructions.

# Miller DuraHoist™ Three-Piece Portable Base Options

Models: DH-4 (for maximum 29-in. offset), DH-24 (for maximum 48-in. offset)



by Honeywell

Toll Free 800.873.5242 (press 4) • [hsptechsupport@honeywell.com](mailto:hsptechsupport@honeywell.com) • [www.millerfallprotection.com](http://www.millerfallprotection.com)

**⚠ WARNING!** THIS DOCUMENT PROVIDES AN OVERVIEW OF FALL PROTECTION PRODUCTS AVAILABLE FROM HONEYWELL AND CARE HAS BEEN TAKEN TO ASSURE THE ACCURACY OF THE DATA. IT DOES NOT PROVIDE IMPORTANT PRODUCT WARNINGS AND INSTRUCTIONS. HONEYWELL RECOMMENDS ALL USERS OF FALL PROTECTION EQUIPMENT UNDERGO THOROUGH TRAINING, AND THAT ALL WARNINGS AND INSTRUCTIONS PROVIDED WITH THE PRODUCTS BE THOROUGHLY READ AND UNDERSTOOD PRIOR TO EACH USE. FAILURE TO READ AND FOLLOW ALL PRODUCT WARNINGS AND INSTRUCTIONS COULD RESULT IN SERIOUS INJURY OR DEATH.